



aXs POOL LIFT

aXs POOL LIFT

Distributed in SE Wisconsin through:



COMPLETE ACCESSIBLE READY ENVIRONMENTS

877-917-2273



aXs pool lift

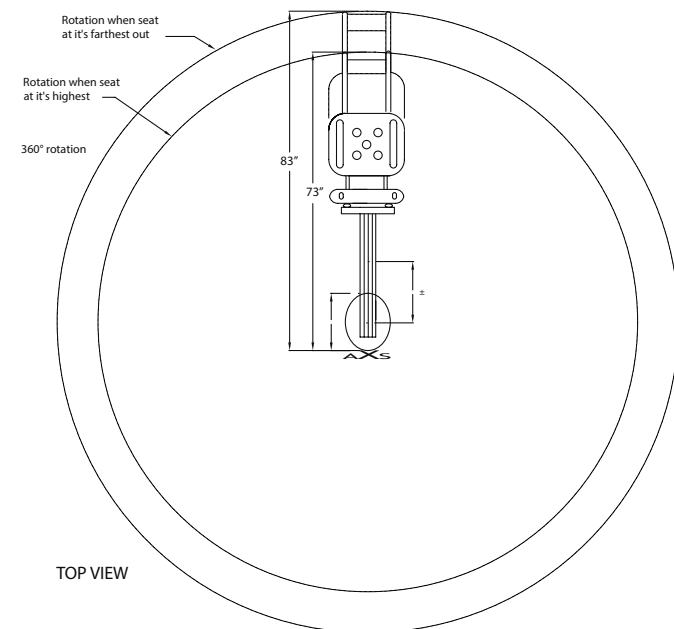
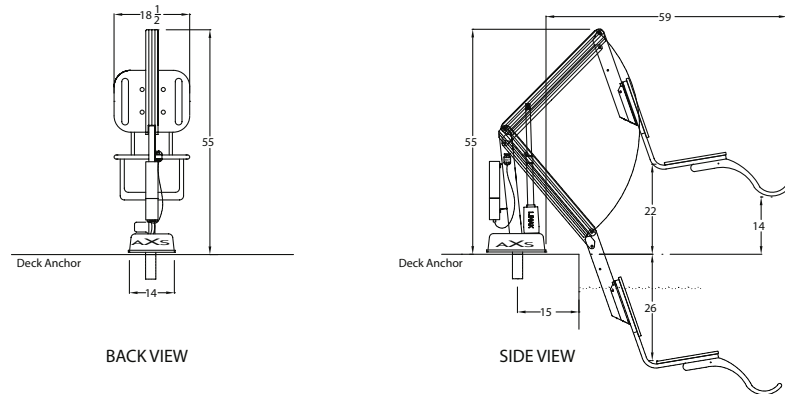


The aXs is a perfect low profile lift for simple pool designs.

- 3rd party tested and verified ADA compliant
- 300 lb/136 kg lifting capacity
- Easily removable from stainless steel deck anchor
- LiftOperator Intelligent Control—includes 24 volt rechargeable battery
- User operable via a waterproof hand control
- 360° rotation
- Powder coated stainless steel and aluminum construction
- Includes battery, charger, battery console cover, waterproof control, stainless steel anchor socket with cover, footrest and seat belt assembly



MODEL NO.	DESCRIPTION	SHIPPING WT.	L	W	H
AXS1000	aXs	225 lbs.	40"	48"	48"



accessories



Arm Rests

Optional, flip-up armrests are available for all lifts. This accessory item can be retrofitted to a lift. The armrests are available in gray. P/N AX2320



Stability Vest

The Stability Vest was designed to assist individuals with limited or no independent upper body or trunk stability. The vest holds the user to the chair, strapping them in for support. P/N 900-2000



Covers for aXs Models

Protect your investment with a full, all-weather cover. P/N AX9000
Also available: protective cover for battery console only. P/N AX9002



Spine Board Attachment

The Spine Board Attachment works with any standard spine board (not included). Simply remove the chair assembly by pulling the attachment pin and replace that assembly with the Spine Board Attachment. P/N 500-1000



Seat Pad

White, waterproof seat pad designed to enhance comfort and minimize friction. P/N 900-4000



aXs Caddy

The aXs Caddy facilitates handling, transporting and storing an aXs lift. Made from powder coated steel for surface protection. The aXs Caddy simplifies insertion and removal of the connector shaft into the pool deck and doubles as a convenient storage rack for the lift when not in use. P/N 400-2000-AX



Battery & Charger

All pool lifts are powered by a 24 volt, rechargeable battery. This battery should be left on the charger when not in use. P/N LINAK Battery 100-2000, P/N Charger 100-3500
P/N LiftOperator Battery 1001495, P/N New Charger 1001530
New batteries are ONLY compatible on pool lift units with the LiftOperator Intelligent Control. Please visit our website for details.



Pool Lift Available Sign

This 9" x 12" metal sign can be posted at your facility to let guests know about your pool lift. P/N 900-5000



LiftOperator NEW

The most technologically advanced pool lift control on the market, with an audible safety alert, internal memory with USB download capability, and optional activation key to prevent unauthorized use.

aXs WRITTEN SPECIFICATIONS

Lift Model Shall be: S.R.Smith, LLC aXs—Aquatic Lift System, # AXS1000

It shall be battery powered, comply with Americans With Disabilities Act Access Guidelines (ADAAG), and have a lifting capacity of 300 pounds. Product shall include battery, charger, battery console cover, waterproof control, stainless steel anchor socket with cover, foot rest and seat belt assembly.

- a. Manufacturer to provide technical support and assistance to confirm pool lift satisfies pool geometry or if another Model is more appropriate.
- b. Have a LINAK (approved for medical applications) screw/spline type actuator to provide a safe and stable stop at any point in the lifting cycle. Capable of:
 - i. Not only having a stopping point that is a minimum of 16 inches and a maximum of 19 inches measured from the deck to the top of the seat surface when the seat is in the raised position (accessibility guidelines), but also providing additional stopping points at various heights to accommodate users of all ages and abilities.
 - ii. Submerging the seat a minimum of 18" below the surface of the water.
- c. Configured to facilitate ease in user transfer within clear deck space of 36 inches wide by 48 inches deep starting 12 inches from the back end of the seat (Ref. ADAAG).
- d. Have a 24-volt gear motor to power side to side rotation to allow for ample clear deck space for transfer on both sides of the lift.
- e. Seat:
 - i. Width of 18.5 inches (ADAAG Requires 16 inches).
 - ii. Back that extends 24 inches high (ADAAG Requires 12 inches).
- f. Be structurally capable of providing a stable user transfer and pass a static load test equal to 1.5 times the rated load capacity.
- g. Metallic parts (stainless steel and aluminum) to be passivated, pretreated and powder coated using a 5-step process. The process is to be validated by samples undergoing a 4,000 hour Salt Fog Test (ASTM D1654), by a recognized independent laboratory, and achieve a rating of 10 (highest possible rating). (Note: The test is the equivalent of 10 years exposure to this harsh environment.)
- h. Have a Manufacturer's Warranty:
 - i. Frame—3 Years (except powder coated finish)
 - ii. Electronic Components – 2 Years (except battery)
 - iii. Batteries – 1 Year, Pro-rated (90 days – 100%, 91 to 365 days – 50%)
- i. Have the following optional equipment:

PART #	DESCRIPTION
900-2000	Stability Vest
500-1000	Spineboard Attachment
AX3220	Arm Rest Assembly
AX9000	Total Cover
400-2000-AX	Caddy